



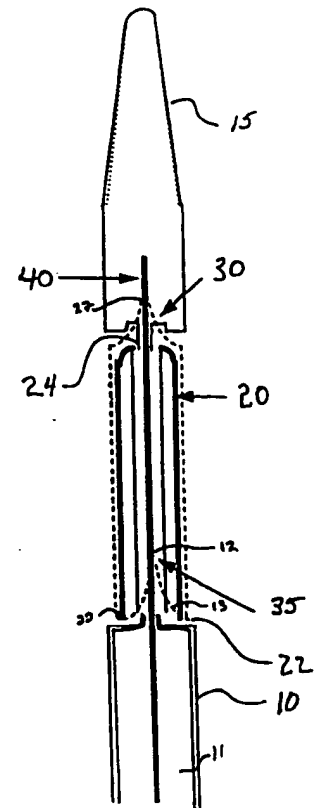
INTERNATIONAL APPLICATION PUBLISHED UNDER THE PATENT COOPERATION TREATY (PCT)

<p>(51) International Patent Classification <sup>6</sup> : <b>A61B 17/22</b></p>	<p><b>A1</b></p>	<p>(11) International Publication Number: <b>WO 98/33443</b> (43) International Publication Date: <b>6 August 1998 (06.08.98)</b></p>
<p>(21) International Application Number: <b>PCT/US98/01894</b> (22) International Filing Date: <b>3 February 1998 (03.02.98)</b> (30) Priority Data: <b>08/794,011</b>      <b>3 February 1997 (03.02.97)</b>      <b>US</b> (71) Applicant (for all designated States except US): <b>ANGIO-GUARD, INC. [US/US]; 735 Aran Drive, Roswell, GA 30076 (US).</b> (72) Inventor; and (75) Inventor/Applicant (for US only): <b>YADAV, Jay, S. [US/US]; 735 Aran Drive, Roswell, GA 30076 (US).</b> (74) Agents: <b>DIPPERT, William, H. et al.; Cowan, Liebowitz &amp; Lataman, P.C., 1133 Avenue of the Americas, New York, NY 10036-6799 (US).</b></p>	<p>(81) Designated States: <b>AL, AM, AT, AU, AZ, BA, BB, BG, BR, BY, CA, CH, CN, CU, CZ, DE, DK, EE, ES, FI, GB, GE, GH, GM, GW, HU, ID, IL, IS, JP, KE, KG, KP, KR, KZ, LC, LK, LR, LS, LT, LU, LV, MD, MG, MK, MN, MW, MX, NO, NZ, PL, PT, RO, RU, SD, SE, SG, SI, SK, SL, TJ, TM, TR, TT, UA, UG, US, UZ, VN, YU, ZW.</b> ARIPO patent (GH, GM, KE, LS, MW, SD, SZ, UG, ZW), Eurasian patent (AM, AZ, BY, KG, KZ, MD, RU, TJ, TM), European patent (AT, BE, CH, DE, DK, ES, FI, FR, GB, GR, IE, IT, LU, MC, NL, PT, SE), OAPI patent (BF, BJ, CF, CG, CI, CM, GA, GN, ML, MR, NE, SN, TD, TG).</p> <p><b>Published</b> <i>With international search report.</i></p>	

(54) Title: **VASCULAR FILTER**

(57) Abstract

A removable vascular filter for blocking micro-emboli, and macro-emboli while allowing the continued perfusion of blood comprising a filter membrane (20), wherein the free end of the membrane sits tightly against the guide wire (10) when the filter membrane is in a collapsed state, and wherein the filter has a means for deploying the filter membrane in the interior of a lumen which is comprised of cables or spines (30) operable with a movable core (40), or fibers inside the guide wire which transitions the filter membrane from the collapsed state to the deployed state. The filter membrane is comprised of a fine mesh material which has a pore size capable of blocking emboli while allowing continued blood flow.



**FOR THE PURPOSES OF INFORMATION ONLY**

Codes used to identify States party to the PCT on the front pages of pamphlets publishing international applications under the PCT.

AL	Albania	ES	Spain	LS	Lesotho	SI	Slovenia
AM	Armenia	FI	Finland	LT	Lithuania	SK	Slovakia
AT	Austria	FR	France	LU	Luxembourg	SN	Senegal
AU	Australia	GA	Gabon	LV	Latvia	SZ	Swaziland
AZ	Azerbaijan	GB	United Kingdom	MC	Monaco	TD	Chad
BA	Bosnia and Herzegovina	GE	Georgia	MD	Republic of Moldova	TG	Togo
BB	Barbados	GH	Ghana	MG	Madagascar	TJ	Tajikistan
BE	Belgium	GN	Guinea	MK	The former Yugoslav Republic of Macedonia	TM	Turkmenistan
BF	Burkina Faso	GR	Greece	ML	Mali	TR	Turkey
BG	Bulgaria	HU	Hungary	MN	Mongolia	TT	Trinidad and Tobago
BJ	Benin	IE	Ireland	MR	Mauritania	UA	Ukraine
BR	Brazil	IL	Israel	MW	Malawi	UG	Uganda
BY	Belarus	IS	Iceland	MX	Mexico	US	United States of America
CA	Canada	IT	Italy	NE	Niger	UZ	Uzbekistan
CF	Central African Republic	JP	Japan	NL	Netherlands	VN	Viet Nam
CG	Congo	KE	Kenya	NO	Norway	YU	Yugoslavia
CH	Switzerland	KG	Kyrgyzstan	NZ	New Zealand	ZW	Zimbabwe
CI	Côte d'Ivoire	KP	Democratic People's Republic of Korea	PL	Poland		
CM	Cameroon	KR	Republic of Korea	PT	Portugal		
CN	China	KZ	Kazakhstan	RO	Romania		
CU	Cuba	LC	Saint Lucia	RU	Russian Federation		
CZ	Czech Republic	LI	Liechtenstein	SD	Sudan		
DE	Germany	LK	Sri Lanka	SE	Sweden		
DK	Denmark	LR	Liberia	SG	Singapore		
EE	Estonia						

## VASCULAR FILTER

### FIELD OF THE INVENTION

The present invention relates to the treatment of vascular disease of either surgery or percutaneous angioplasty and stenting. More particularly, the invention relates to a device  
5 that reduces macro- and micro-embolism during the treatment of vascular stenosis.

### BACKGROUND OF THE INVENTION

A variety of surgical and non-surgical angioplasty  
10 procedures have been developed for removing obstructions from blood vessels. Balloon angioplasty utilizes a balloon-tipped catheter which may be inserted within a stenosed region of the blood vessel. By inflation of the balloon, the stenosed region is dilated. Surgery involves either removing the plaque from  
15 the artery or attaching a graft to the artery so as to bypass the obstructing plaque. Other techniques, such as atherectomy, have also been proposed. In atherectomy, a rotating blade is used to shave plaque from an arterial wall.

One problem common with all of these techniques is the  
20 accidental release of portions of the plaque or thrombus, resulting in emboli which can lodge elsewhere in the vascular system. Such emboli are, of course, extremely dangerous to the patient, frequently causing severe impairment of the distal circulatory bed. Depending upon the vessel being treated, this  
25 may result in a stroke or myocardial infarction or limb ischemia.

Vascular filters or embolism traps for implantation into the vena cava of a patient are well known, being illustrated by, for example, U.S. Patents. Nos. 4,727,873 and 4,688,553.  
30 Additionally, there is a substantial amount of medical literature describing various designs of vascular filters and reporting the results of the clinical and experimented use thereof. See, for example, the article by Eichelter & Schenk entitled "Prophylaxis of Pulmonary Embolism," Archives of

Surgery, Vol. 97, August 1968, pp. 348 et seq. See, also, the article by Greenfield, et al., entitled "A New Intracaval Filter Permitting Continued Flow and Resolution of Emboli", Surgery, Vol. 73, No. 4, pp. 599-606 (1973).

5       Vascular filters are used, often during a postoperative period, when there is a perceived risk of a patient encountering a pulmonary embolus resulting from clots generated at the surgical site or the like. As a typical use of vascular filters, the filter is mounted in the vena cava to catch large  
10 emboli passing from the surgical site to the lungs.

      The vascular filters of the prior art are usually permanently implanted in the venous system of the patient, so that even after the need for the filter has abated, the filter remains in place for the lifetime of the patient, absent  
15 surgical removal. U.S. Pat. No. 3,952,747 describes a stainless steel filtering device which is permanently implanted transvenously within the inferior vena cava. The filtering device is intended to treat recurrent pulmonary embolism. U.S. Pat. No. 4,873,978 describes a catheter device comprising a  
20 catheter body having a strainer mounted at its distal end. The strainer is shiftable between an opened configuration where it extends substantially across the blood vessel to entrap passing emboli, and a closed configuration where it retains the captured emboli during removal of the catheter. A mechanism  
25 actuatable at the proximate end of the catheter body allows selective opening and closing of the strainer. Typically, the strainer is a collapsible cone having an apex attached to a wire running from the distal end to the proximate end of the catheter body.

30       Permanent implantation is often deemed medically undesirable, but it has been done because vascular filters are implanted in patients primarily in response to potentially life threatening situations. Accordingly, the disadvantages of permanent implantations of a vascular filter are often  
35 accepted.

      To avoid permanent implantation, it would be highly desirable to provide an apparatus and method for preventing

embolisms associated with conventional surgery and angioplasty procedures. In particular, it would be desirable to provide a device which could be located within the vascular system to collect and retrieve portions of plaque and thrombus which have  
5 dislodged during the surgery or angioplasty procedure.

#### OBJECT OF THE INVENTION

It is an object of this invention to provide a vascular filter for reducing macro- and micro-embolism.

10 It is also an object of the invention to provide a vascular filter which is readily removable from the vascular system, or elsewhere, of a patient when the filter is no longer needed.

15 It is a further object of the invention to provide a vascular filter having a configuration which does not require hooks to penetrate and grip the blood vessel walls, so that the implantation results in less blood vessel injury.

20 It is a yet further object of the invention to provide a vascular filter of very low profile which is part of a guidewire and can be used in small vessels

These and other objects of the invention will become more apparent from the description below.

#### SUMMARY OF THE INVENTION

25 The present invention generally relates to the surgical and interventional treatment of vascular disease. For example, during angioplasty and stenting of carotid stenosis, there is occurrence of macro- and micro-embolism which increases the risk of a minor or major stroke. The device of the present  
30 invention for reducing macro- and micro-embolism is very useful in helping to prevent the risk of stroke. However, this device would also be useful in any angioplasty or surgical procedure where embolization is a risk.

35 The filters of the present invention will decrease embolism while allowing brain, or other distal tissue, perfusion. The filters are incorporated into a guidewire which

is used for the entire procedure from crossing a lesion to  
deploying a stent. The filter consists of a thin membrane  
attached to the guidewire and supported by fine metal spines.  
The filter membrane has a pore size such that blood flow is not  
5 impeded when the filter membrane is expanded but micro- and  
macro-emboli are blocked. The attachments of the filter  
membrane to the guidewire allow expansion of the filter  
membrane with a firm fit inside the artery. Expansion of the  
filter membrane is aided by the forward flow of blood against  
10 the filter. The attachments also allow for collapse of the  
filter membrane at the end of the procedure so it fits tightly  
against the guidewire and can be withdrawn through the guide  
catheter. The filter design results in a very low profile so  
that the initial crossing of the lesion is minimally traumatic.  
15 Also, the small diameter and small profile facilitate use of  
the device in small or larger arteries with minimal or no  
obstruction of blood flow.

#### BRIEF DESCRIPTION OF THE DRAWINGS

20 The above and other objects and advantages of the  
invention will be apparent upon consideration of the following  
detailed description, taken in conjunction with the  
accompanying drawings, in which the reference characters refer  
to like parts throughout and in which:

25 Fig. 1 is a lateral, partly cross-sectional view of the  
distal end of a guidewire of one embodiment of the invention  
with the filter membrane in a collapsed position;

Fig. 2 is a lateral, partly cross-sectional view of the  
distal end of a guidewire of Fig. 1 with the filter membrane in  
30 an expanded, deployed position;

Fig. 3 is a proximal end-on view of the filter membrane  
shown in Fig. 2;

Fig. 4 is a lateral, partly cross-sectional view of  
another embodiment of the invention;

35 Fig. 5A is a lateral, partly cross-sectional view of a  
further embodiment of the invention;

Fig. 5B is a lateral, partly cross-sectional view of the embodiment of the invention shown in Fig. 5A with the filter membrane in an expanded, deployed position;

Fig. 6 is a partly cross-sectional view of a control  
5 handle for the invention;

Fig. 7 is a partly cross-sectional view of another embodiment of the invention;

Fig. 8 is a partial cross-sectional view of an embodiment of the invention wherein the filter membrane has curved  
10 supports;

Fig. 9 is a partial cross-sectional view of yet another embodiment of the invention wherein the filter membrane has a spiral wire;

Fig. 10 is a top, cross-sectional view of the embodiment  
15 of the invention shown in Fig. 9;

Fig. 11 is a partial cross-sectional view of another embodiment of the invention having inflatable support spines; and

Figs. 12 and 13 represent partial cross-sectional views of  
20 another embodiment of the invention in collapsed and deployed positions, respectively.

#### DETAILED DESCRIPTION OF THE INVENTION

The present invention relates to a vascular filter for use  
25 in percutaneous angioplasty and stenting and provides for the prevention of distal embolism during endovascular procedures. Further, the filter device of the invention allows for distal perfusion while preventing embolism.

The device consists of a thin, perforated filter membrane  
30 which is capable of blocking emboli and which is attached to the distal end of a guidewire. The device preferably uses thin fibers which are moveable and are attached to the filter membrane to deploy and collapse the filter membrane. The invention also contemplates the use of metal spines or  
35 inflatable spines attached to the filter membrane to deploy the

filter membrane. The fibers or spines can also be attached to a moveable core which is slidable within the guidewire and is used to deploy and collapse the filter membrane.

The filter membrane deploys in an umbrella-like fashion with the unattached edge of the membrane moving upward, i.e., distally, and outward until it is in firm contact with an artery wall. When the filter membrane is deployed, it spans the cross-sectional area of the vessel lumen being treated for a stenosis such as carotid stenosis, or another condition likely to produce emboli.

The invention can perhaps be appreciated better by referring to the drawings. Fig. 1 illustrates a lateral, cross-sectional view of a distal end of a guidewire 10 with a filter membrane 20 attached thereto. Fig. 1 shows guidewire 10 with a shapeable, tapered soft tip 15 at its extreme distal end which provides flexibility and maneuverability to guidewire 10. The filter membrane in Fig. 1 is in a collapsed position. Filter membrane 20 has a fixed portion 24 which is movably attached to guidewire 10, and filter membrane 20 lies adjacent guidewire 10 proximal to fixed portion 24 when filter membrane 20 is in the collapsed state. A moveable core 40 runs through a center lumen 11 of guidewire 10 and preferably extends distally a short distance beyond fixed portion 24 of filter membrane 20. Deploying wires or fibers 30 are each firmly attached at one end 27 to moveable core 40 distal to fixed portion 21 of filter membrane 20. The deploying fibers 30 are attached at their other ends to filter membrane 20 at attachment points 22.

Collapsing fibers 35 are each firmly attached at one end 12 to the portion of moveable core wire 40 which is interior to filter membrane 20 when it is in the collapsed state. Collapsing fibers 35 are each attached at their other end 13 to filter membrane 20 at attachment points 22. Accordingly, collapsing fibers 35 lie interior to filter membrane 20 when filter membrane 20 is in the collapsed state.

Filter membrane 20 is deployed when the operator pulls moveable core 40 proximally through the interior of guidewire



10. Prior to retraction of moveable core 40, deploying fibers 30 are sufficiently relaxed so as not to create any tension at filter membrane attachment points 22. Upon retraction of moveable core 40, tension is created in deploying fibers 30.

5        There will preferably be from 2 to 6 each of evenly-spaced deploying fibers 30 and collapsing fibers 35, 3 or 4 being most preferred. The deploying fibers 30 and collapsing fibers 35 can be made of any flexible, medically acceptable material, including stainless steel, nitinol, or another metal or  
10 metallic alloy or a non-metallic substance such as graphite or a suitable polymer. In addition, guidewire 10 and moveable core 40 can be made from similar materials, as would be appreciated by those skilled in the art. Typically, guidewire  
15 10 could have an external diameter of from about 0.014 mm to about 0.035 mm, a wall thickness of from about 0.002 mm to about 0.010 mm, and a length of from about 25 cm to about 300 cm. Also, moveable core 40 could have a diameter of from about 0.003 mm to about 0.010 mm and a length of from about 30 cm to about 350 cm.

20        Fig. 2 illustrates the filter device of the invention in a deployed position on the inside of an artery wall 60. Moveable core 40 is in a retracted state, i.e., pulled proximally through the interior of guidewire 10. Tension is created in  
25 deploying fibers 30, and filter membrane 20 extends to a deployed position where the outer edge 14 of filter membrane 20 contacts artery wall 60. In this deployed position, collapsing fibers 35 are in a relaxed state and extend from filter membrane attachment points 22 to fixed attachment points 28 on  
30 moveable core 40.

30        The flow of blood in Fig. 2 is toward the distal end of guidewire 10. As such, the force of the flow of blood pushes on deployed filter membrane 20 and helps to maintain filter  
35 membrane 20 in the deployed position.

For withdrawal of guidewire 10 and the filter device,  
35 filter membrane 20 is collapsed so that it sits tightly against guidewire 10. This is accomplished by extending moveable core 40 distally through guidewire 10, thus relaxing deploying

fibers 30 and creating tension in collapsing fibers 35. The tension in collapsing fibers 35 collapses the filter membrane 20, allowing it to fit tightly against guidewire 10 in recess 16 as depicted in FIG. 1.

5 Fig. 3 illustrates the filter device of the invention from a distal end view in Fig. 2 with filter membrane 20 deployed. Guidewire 10 is centrally located, and structural wires 50 are seen extending from guidewire 10 to the outer edge 14 of filter  
10 membrane 20. These wires 50 provide structural integrity and rigidity to filter membrane 20. Fig. 3 depicts four, evenly-spaced structural wires 50, but there can be more or less structural wires 50. Preferably there are from two to six structural wires 50, which may be spaced regularly or irregularly. The wires 50 may preferably be comprised of  
15 stainless steel or another medically acceptable metal or alloy.

Filter membrane 20 of the invention is preferably a mesh such as that depicted in Fig. 3. The mesh should have pores of a size sufficient to block and capture any micro- and macro-emboli which may flow downstream from the site where the  
20 stenosis is being treated, but large enough such that blood flow is not impeded. The mesh used in the filter device of the invention can have a pore size of from about 20 to about 300 microns, preferably from about 30 to about 100 microns, more preferably from about 40 to 60 microns. Moreover, the size of  
25 filter membrane 20, i.e., the distance from guidewire 10 to free ends 22, is such as to allow a firm fit between filter membrane 20 and artery wall 60. The diameter of filter membrane 20 will be directly related to the artery being treated, with typical diameters ranging from about 2 mm to  
30 about 40 mm, most preferably from about 2 mm to about 20 mm.

The membrane can be comprised of fabric or non-fabric meshes, such as those used in known hemodialysis filters or heart-lung bypass machine filters. Suitable materials include polymers or physiologically acceptable metals or alloys.

35 In alternative embodiments of the invention shown in Figs. 4, 5A and 5B, filter membrane 20 will be suspended between from two to six, preferably three or four, thin metal wires 51 which

serve as spines for filter membrane 20. Wires 51 may be comprised of stainless steel or another metallic alloy, nitinol, or another shape-memory material. Wires 51 will be constructed so that they assume a 90° angle with guidewire 10 when they are in an unconstrained state. This will result in expansion of the filter membrane 20 to a position normal to guidewire 10. A set of thin fibers 17 are attached at attachment points 18 to filter membrane outer edge 14 and are used to collapse filter membrane 20.

10 Fig. 4 shows an embodiment of this invention in which metal wires 51 are allowed to regain their 90° angle unconstrained state by use of a moveable core 40 that runs through guidewire 10. Prior to retraction of moveable core 40, fibers 17 are sufficiently tensed so as to restrain wires 51.  
15 Upon retraction of moveable core 40, tension in fibers 17 is released and wires 51 are allowed to revert to their relaxed shape, which will result in expansion of filter membrane 20 to a position normal to guidewire 10.

Figs. 5A and 5B show an embodiment of the invention wherein wires 51 are restrained by fibers 17 that run through guidewire 10 and that are controlled at a remote location. In Fig. 5A, there is sufficient tension in fibers 17 to maintain wires 51 in a constrained position. In Fig. 5B, tension in fibers 17 has been relaxed such that wires 51 are allowed to  
25 revert to their relaxed shape, which will result in expansion of filter membrane 20 to a position normal to guidewire 10.

Fig. 6 depicts a control handle especially suitable for the embodiment of the invention shown in Figs. 5A and 5B. The proximal end 32 of guidewire 10 is rotatably attached to handle  
30 33, such that rotation of handle 33 causes handle 33 to move distally or proximally relative to proximal guidewire end 32. For example, handle 33 may have threads 34 which engage threads 35 on guidewire proximal end 32. Fibers 17 attached to filter membrane 20 are secured in a base 36 of handle 33. Then, as  
35 handle 33 is turned, the fibers 17 move distally or proximally to open or close filter membrane 20.

As handle 33 is turned clockwise in the direction of arrow A and fibers 17 are allowed to move distally in the direction of arrow C, the tension on the filter membrane fibers 17 decreases and wires 51 are allowed to assume their natural 90° angle with respect to the guidewire, resulting in opening of filter membrane 20. Similarly, when handle 33 is turned counter-clockwise in the direction of arrow B and fibers 17 are pulled proximally in the direction of arrow D, the tension on filter fibers 17 increases, causing filter membrane 20 to collapse tightly against guidewire 10. Of course, the direction of turn of handle 33 as discussed above can be reversed, as long as threads 34,35 are properly formed to allow appropriate movement of handle 33 relative to guidewire proximal end 32.

In yet another embodiment of the invention, shown in Fig. 11, filter membrane 20 can be supported by inflatable spines 135 supporting the filter membrane 20. Spines 135 supporting the filter membrane 20 are from two to six hollow plastic tubes which are inflatable using, for example, a standard balloon angioplasty inflation device or endoflator in fluid connection through channel 137 with spines 135. Inflation of spines 135 causes them to become rigid and deploys filter membrane 20. The underside of the filter membrane is attached to very thin fibers 17 which are attached to moveable core 40 inside hollow guidewire 10. Filter membrane 20 is collapsed by deflating the spines 135 and withdrawing the moveable core 40 in the direction of arrow E until the membrane 20 fits tightly against guidewire 10.

A catheter-based configuration is also possible, as shown in FIG. 7. In this design, the guidewire is not part of the filter catheter; the guidewire and filter catheter are two separate components. The filter catheter has an entry hole for the guidewire below the attachment of the filter membrane and the guidewire exits out the end of the filter catheter. The filter catheter could be designed to accommodate a variety of guidewire sizes, most commonly a 0.014 inch guidewire. The advantages of this design are that a variety of guidewires

could be used; the lesion could be crossed with the guidewire prior to crossing with the filter catheter; the filter catheter could be removed from the artery without removing the guidewire; and the filter catheter could be made smaller.

5 In the embodiment of the invention shown in Fig. 7 a catheter 101 comprises a longitudinally extending lumen 103, which has an annular recess 105 adjacent the distal end of catheter 101. Positioned within recess 105 is a filter 107 comprised of structural wires 109 and a filter membrane 111.  
10 The distal end of each of wires 109 is attached at point 113 in recess 105. Fibers 117 extend from the proximal ends 119 of wires 109 proximally to a control means such as described in Fig. 6.

Catheter 101 contains guidewire port 125 located proximal  
15 to recess 105. It is intended that in use the distal portion 128 of a guidewire 127 will be threaded into the distal end 129 of catheter 101 and out through port 125.

Alternatively, and not shown here, a catheter 101 could comprise a longitudinally extending lumen and a shorter  
20 tracking lumen that extends from distal end 129 to a point proximal to recess 105. The distal end of guidewire 127 would then be threaded into the distal opening of the tracking lumen and out the proximal end of the tracking lumen.

Spiral or curved structural wires may be used to deploy  
25 the filter membrane instead of straight wires. Fig. 8 illustrates the use of four curved wires 120. The angulation of the filter attachment point of wires 120 relative to their guidewire attachment has the effect of wrapping the filter fabric around the guidewire in the undeployed state. This  
30 leads to a lower profile for the undeployed filter.

Figs. 9 and 10 illustrate the use of a single spiral structural wire 130 which is attached to the filter 107. As tension fiber 131 is released, wire 130 unwinds and deploys filter 107 in a conical configuration. This configuration has  
35 the simplicity of using a single wire and, when the tension on fiber 131 is increased, allows filter 107 to be wrapped very

tightly around the guidewire shaft 131, resulting in filter 107 having a low profile in its undeployed state.

Another modification shown in Figs. 12 and 13 comprises a retractable sheath 140 at the distal end of guidewire 142 which covers filter membrane 144 in the collapsed state. Sheath 140, the distal portion of which is affixed to guidewire tip 146, which is affixed to the distal end of moveable core 148, would prevent an edge 150 of filter membrane 144 from becoming entangled in an artery or guide catheter as it was being withdrawn from a patient.

More specifically, when guidewire 142 with tapered tip 146 is inserted percutaneously into a patient, sheath 140 covers collapsed filter membrane 144. After the filter membrane is determined by fluoroscopy to be in proper position, moveable core 148 is pushed distally to cause sheath 140 to "release" filter membrane 144, which has spines 152, to cause filter membrane 144 to deploy, as shown in Fig. 13.

It will be seen that the objects set forth above, among those made apparent from the preceding description, are efficiently attained and, since certain changes may be made in carrying out the method and in the apparatus set forth without departing from the spirit and scope of the invention, it is intended that all matter contained in the above description and shown in the accompanying drawings shall be interpreted as illustrative and not in a limiting sense.

It is also to be understood that the following claims are intended to cover all of the generic and specific features herein and described and all statements of the scope of the invention which, as a matter of language, might be said to fall therebetween.

ITEM LISTING

	<u>No.</u>	<u>Item</u>
5	10	Guidewire
	11	Guidewire lumen
	12	End of collapsing fiber
	13	End of collapsing fiber
	14	Filter membrane outer edge
10	15	Guidewire soft tip
	17	Collapsing fiber
	18	Attachment point
	20	Filter membrane
	22	Filter membrane attachment point
15	24	Filter membrane fixed portion
	27	Fiber attachment point
	28	Fiber attachment point
	30	Deploying fibers
	32	Guidewire proximal end
20	33	Handle
	34	Handle threads
	35	Guidewire proximal end threads
	36	Handle base
	40	Moveable core wire
25	50	Structural wires
	51	Deploying wires
	60	Artery wall
	101	Catheter
	103	Lumen
30	105	Recess
	107	Filter mesh structure
	109	Filter wire
	111	Mesh
	113	Attachment point
35	117	Deployment collapse wire
	120	Curved filter structural wires
	125	Guidewire port
	127	Guidewire

	128	Guidewire distal end
	129	Spiral wire
	131	Fiber
5	132	Guidewire shaft
	135	Inflatable spines
	137	Inflation channel
	140	Sheath
	142	Guidewire
10	144	Filter member
	146	Tapered guidewire tip
	148	Moveable core
	150	Filter membrane edge
	152	Filter membrane spine



I claim:

1. A removable vascular filter device for blocking micro-and macro-emboli while allowing continued perfusion of blood, comprising:

a guidewire having distal and proximal portions, wherein there is a recess in the distal portion, the recess having distal and proximal ends,

a filter membrane having a fixed inner portion and a free outer portion, wherein the fixed inner portion is movably attached toward the distal end of the guidewire recess and wherein the free outer portion is positioned in the recess when the filter membrane is in a collapsed state; and

a deploying means for causing the filter membrane to assume a position substantially normal to the longitudinal axis of the guidewire.

2. The vascular filter of Claim 1, wherein the filter membrane is comprised of a porous mesh.

3. The vascular filter of Claim 2, wherein the pore size of the porous mesh is from about 40 to about 300 microns.

4. The vascular filter of Claim 1, wherein the guidewire is hollow and wherein the deploying means comprises a moveable core, the moveable core being slidably positioned in the interior of the guidewire.

5. The vascular filter of Claim 4, wherein the deploying means further comprises deploying fibers each having first and second ends and said filter membrane further comprises an outer edge, and wherein said deploying fibers are each attached at a first end to the moveable core and are attached at a second end to the outer edge of the filter membrane.

6. The vascular filter of Claim 4, wherein the moveable core creates a tension in the deploying fibers when it slides proximally in relation to the guidewire, and said tension causes the filter membrane to expand outwardly until the outer edge of the filter membrane is in firm contact with the lumen wall.

7. The vascular filter of Claim 5 further comprising a means for collapsing the filter membrane from a deployed state to a collapsed state.

8. The vascular filter of Claim 7, wherein the collapsing means further comprises collapsing fibers each having first and second ends, wherein said collapsing fibers are each attached at a first end to the moveable core and are further attached at a second end to the outer edge of the filter membrane.

9. The vascular filter of Claim 8, wherein the moveable core creates a tension in the collapsing fibers when it slides distally in relation to the guidewire, and said tension causes the filter membrane to collapse tightly against the guidewire.

10. The vascular filter of Claim 1, wherein the guidewire has a lumen extending distally from the proximal portion of the guidewire to at least the recess.

11. The vascular filter of Claim 1, wherein the guidewire has a tapered distal tip.

12. A removable vascular filter device for blocking micro-and macro-emboli while allowing continued perfusion of blood, comprising:

a guidewire having distal and proximal portions, wherein there is a recess in the distal portion, the recess having distal and proximal ends,

a filter membrane having a fixed inner portion and a free outer portion, wherein the fixed inner portion is attached toward the distal end of the guidewire recess and wherein the free outer portion is positioned in the recess when the filter membrane is in a collapsed state, and wherein the filter membrane in an unstressed position assumes a position substantially normal to the longitudinal axis of the guidewire, and

means for collapsing the filter membrane from a deployed state to a collapsed state.

13. The vascular filter of Claim 12, wherein the filter membrane comprises wires which assume a 90° angle with respect to the longitudinal axis of the guidewire in an unconstrained state.

14. The vascular filter of Claim 12, wherein the filter membrane comprises from 2 to 6 arcing wires.

15. The vascular filter of Claim 13, wherein the filter membrane comprises a single spiral wire.

16. The vascular filter of Claim 12, wherein the collapsing means comprises collapsing fibers each having first and second ends, wherein said collapsing fibers are each attached at a first end to the outer edge of the filter membrane and the second end of each fiber extends proximally through the guidewire to an actuator.

17. The vascular filter of Claim 16, wherein the actuator is a handle or shaft that can be rotated clockwise or counter-clockwise to release or collapse the filter membrane.

18. The vascular filter of Claim 12, wherein the filter membrane comprises a set of inflatable spines, said spines being hollow plastic tubes.

19. The vascular filter of Claim 18 which further comprises an inflator for inflating the spines, wherein said inflator is in fluid communication with said spines, which become rigid upon inflation.

20. The vascular filter of Claim 19, where the means of inflation is an endoflator.

21. The vascular filter of Claim 12, wherein the guidewire has a lumen extending distally from the proximal portion of the guidewire to at least the recess.

22. The vascular filter of Claim 12, wherein the guidewire has a tapered distal tip.

23. The vascular filter of Claim 12, which also comprises a sheath positioned concentric to the collapsed filter membrane, wherein said membrane causes the filter

member to be in a collapsed state but can be moved distally to allow the filter member to extend radially.

24. The vascular filter of Claim 23, wherein the sheath has proximal and distal portions and is attached at its distal end to a distal guidewire tip that is affixed to a moveable core extending proximally through the guidewire.

25. A removable vascular filter device for blocking micro-and macro-emboli while allowing continued perfusion of blood, comprising:

a catheter having distal and proximal portions, wherein there is a recess in the distal portion, the recess having distal and proximal ends, and the catheter has a longitudinally extending lumen;

a filter membrane having a fixed inner portion and a free outer portion, wherein the fixed inner portion is movably attached toward the distal end of the catheter recess, wherein the free outer portion is positioned in the recess when the filter membrane is in a collapsed state, and wherein the filter membrane is unstressed and extends substantially normal to the outer surface of the catheter; and

a collapsing means for causing the filter membrane to collapse into the catheter recess,

wherein the outer surface of the catheter has a guidewire port for receipt of a guidewire.

26. The vascular filter of Claim 25, wherein the filter membrane comprises a porous mesh.

27. The vascular filter of Claim 26, wherein the pore size of the porous mesh is from about 40 to about 300 microns.

28. The vascular filter of Claim 25, wherein the collapsing means comprises fibers each having first and second ends and said filter membrane further comprises an outer edge, and wherein said collapsing fibers are each attached at a first end to a control mechanism and are attached at a second end to the outer edge of the filter membrane.

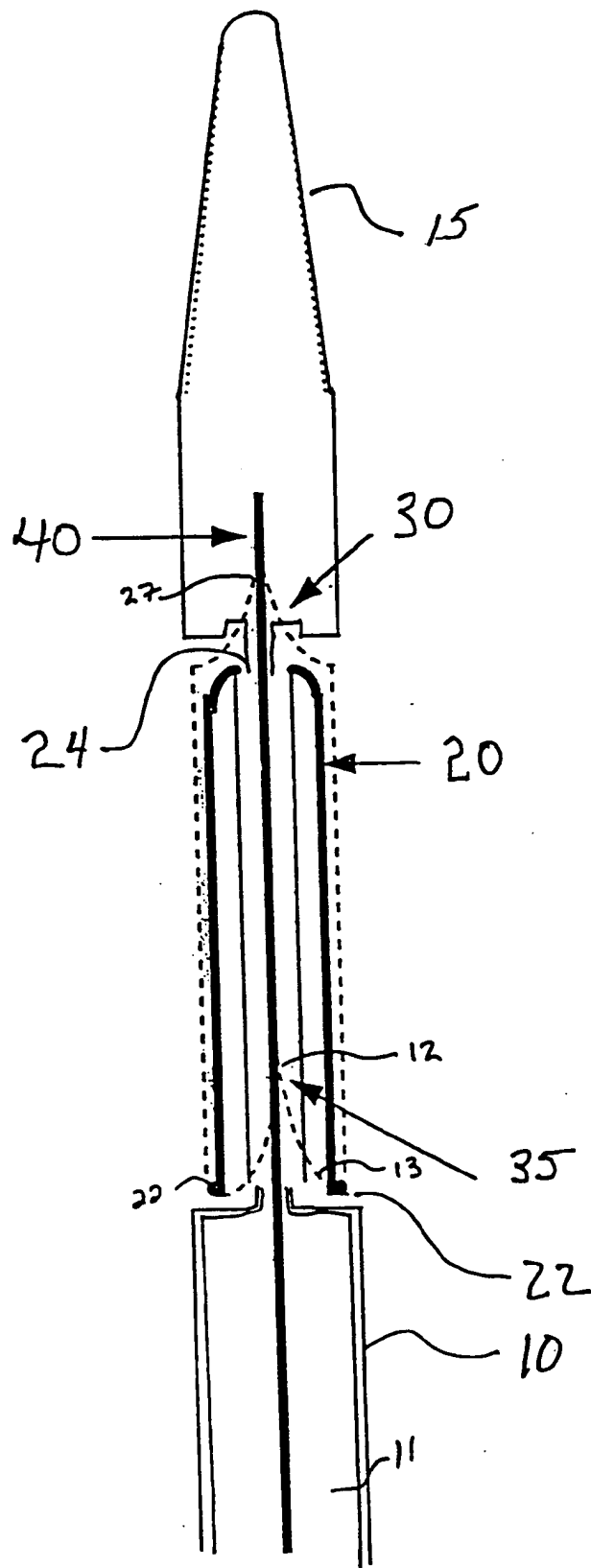
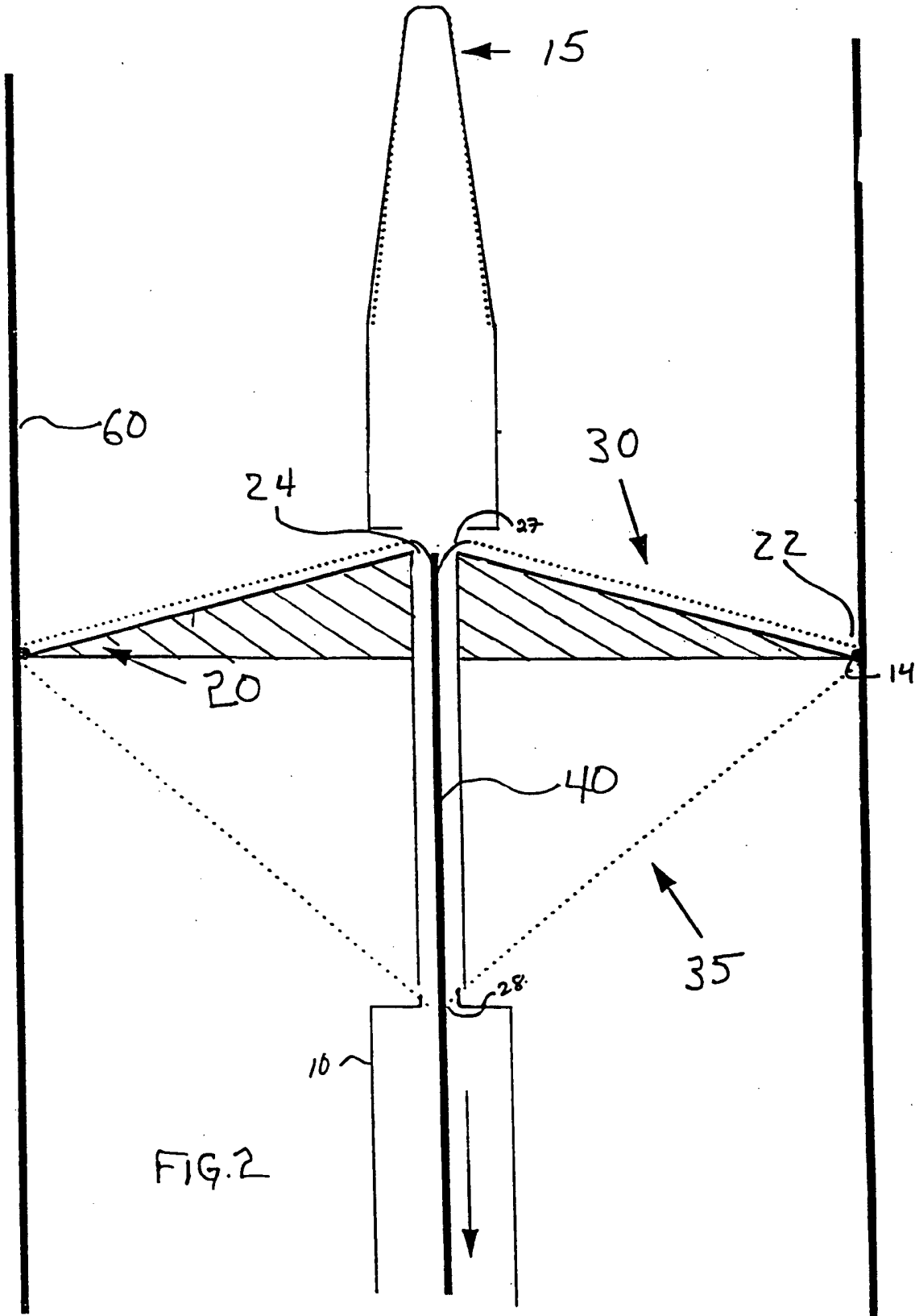
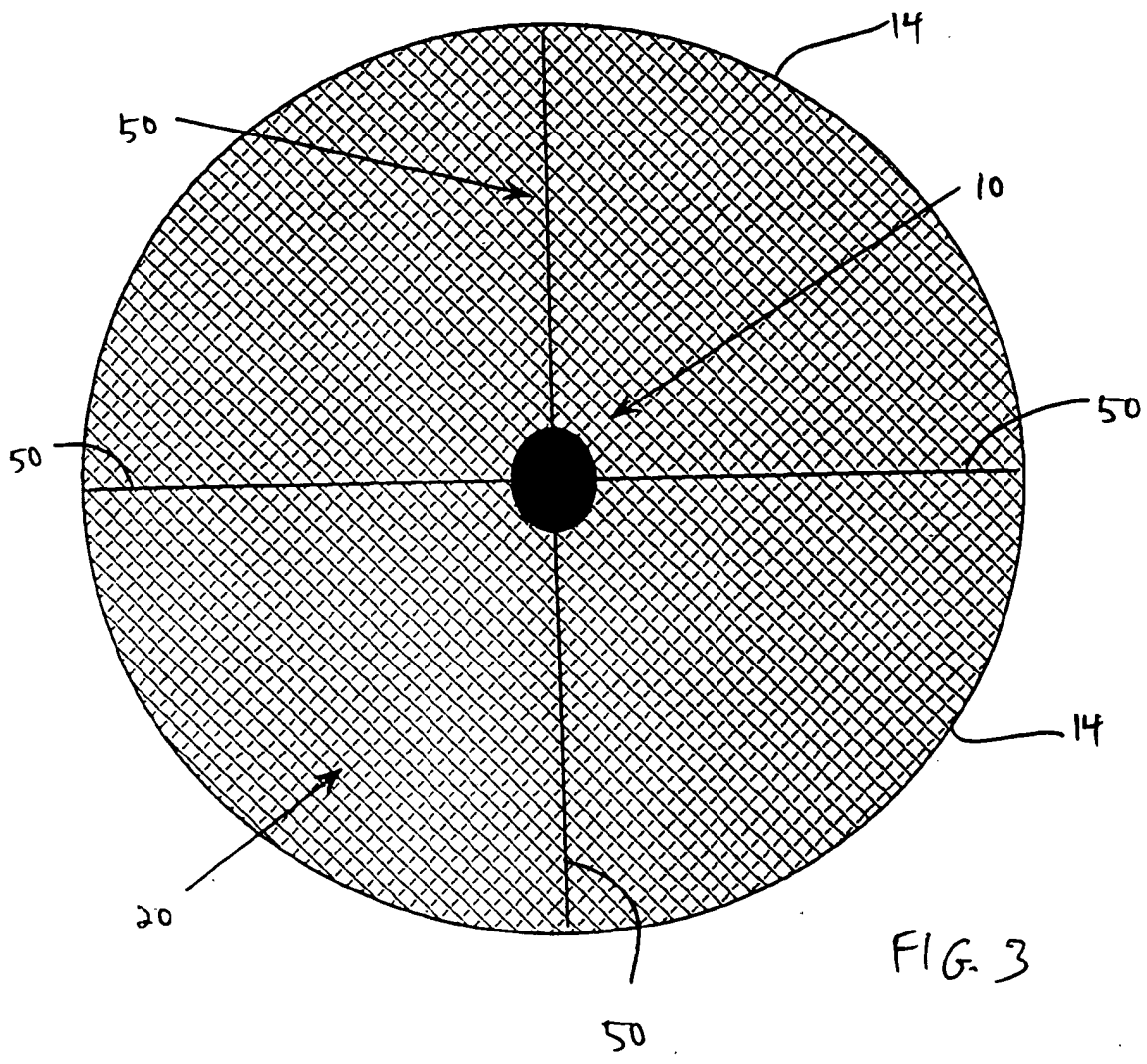


FIG. 1





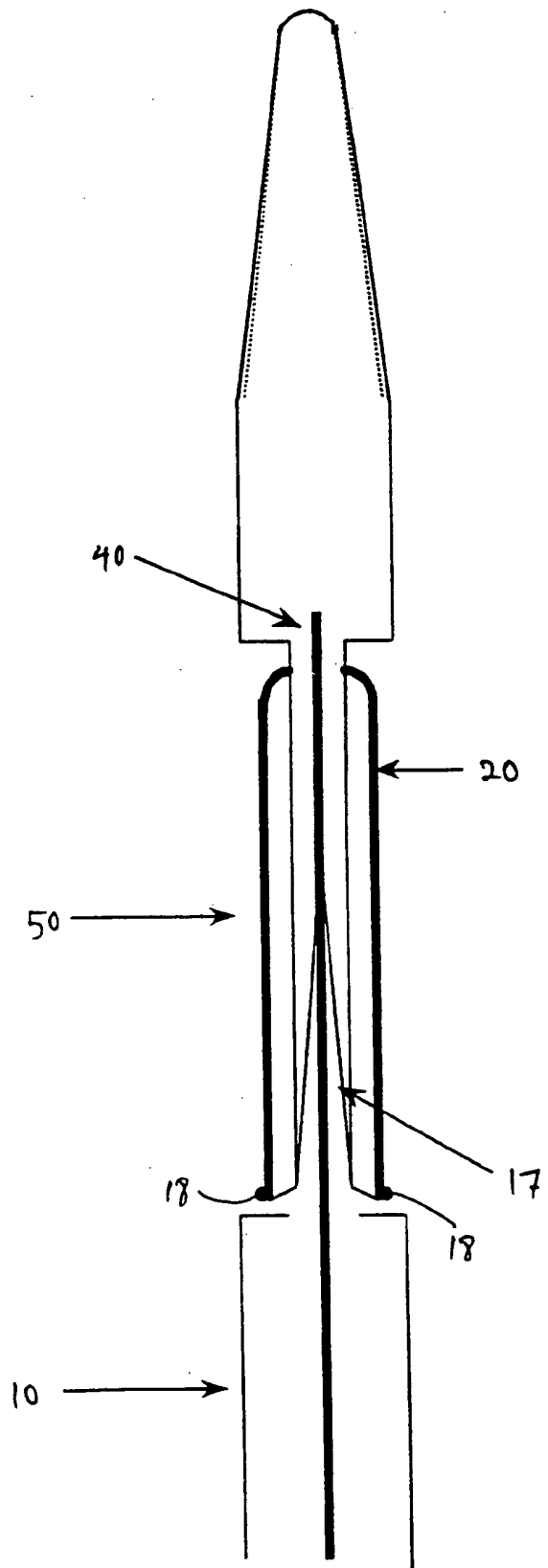
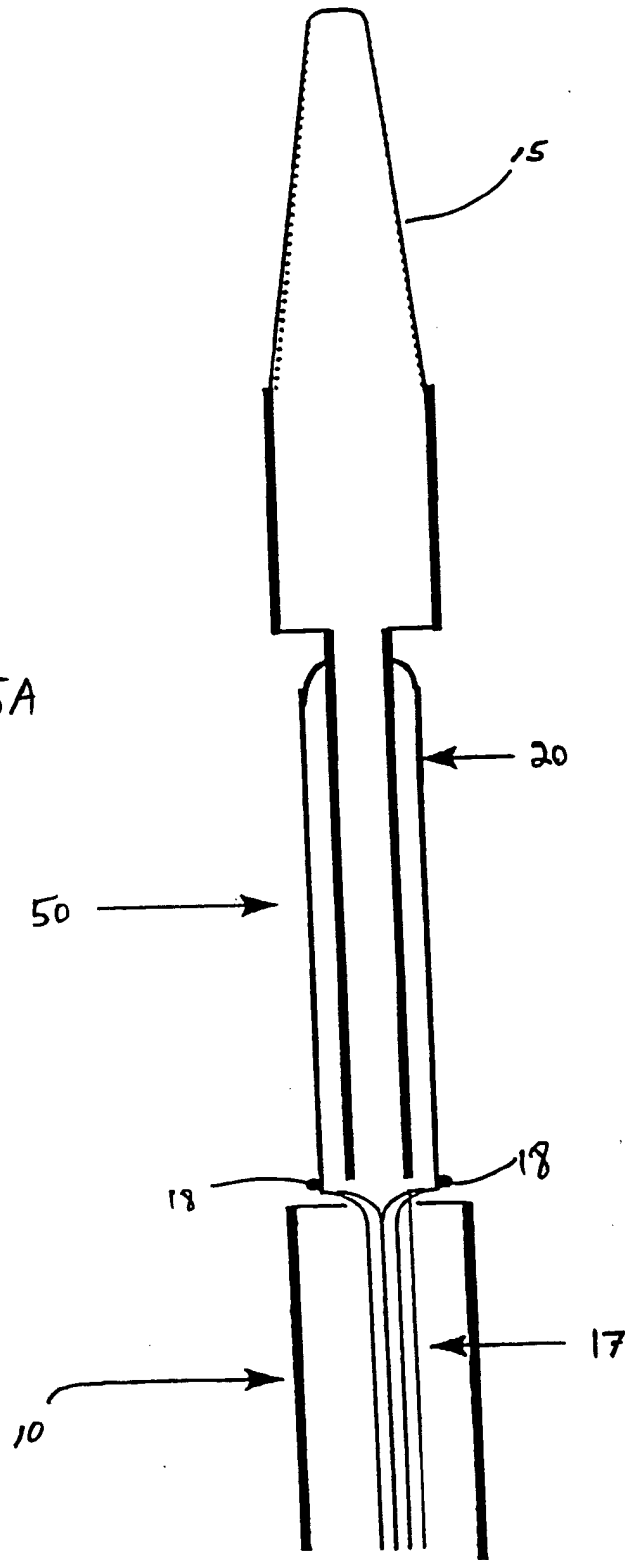


FIG. 4



Fig. 5A



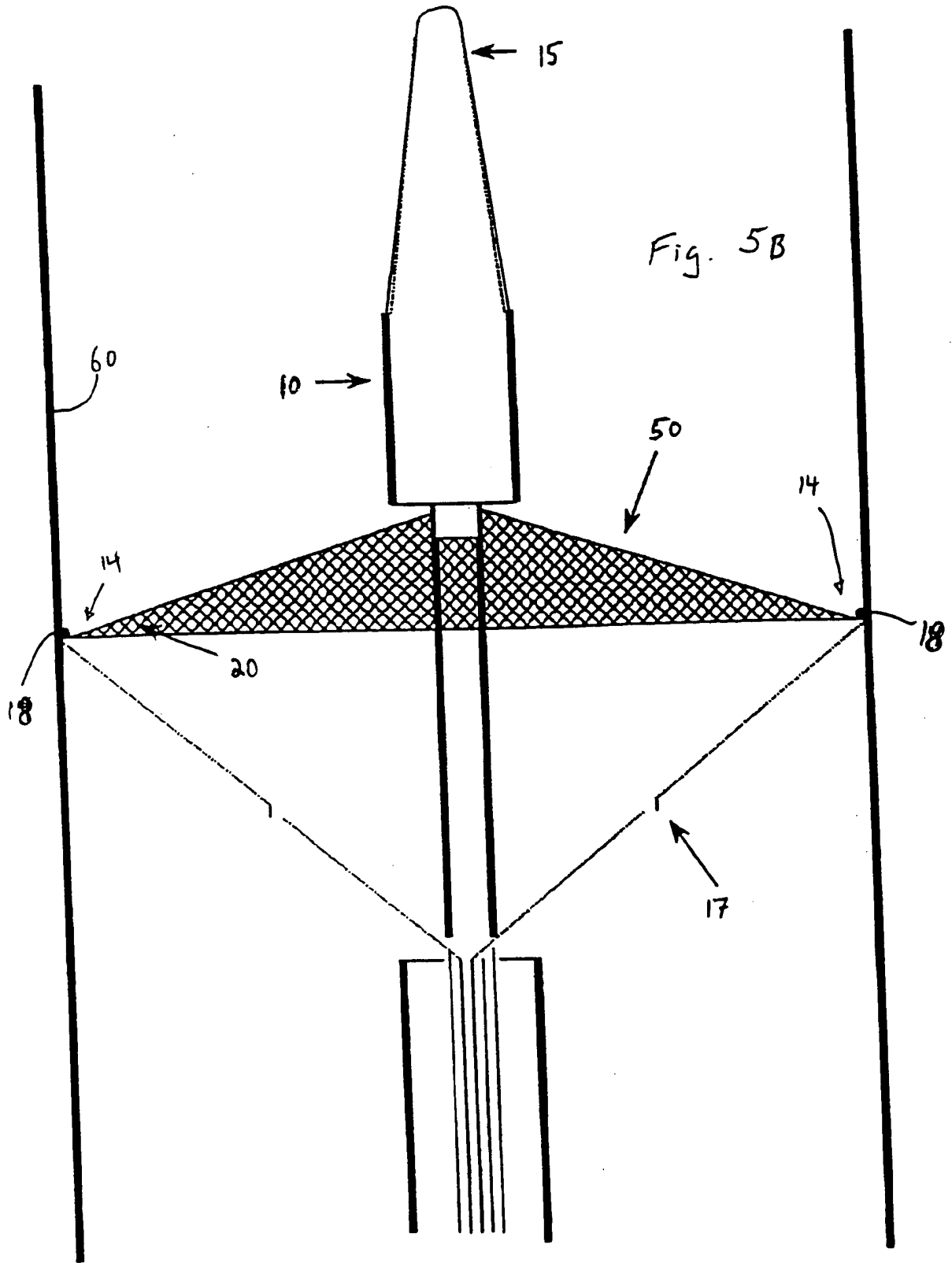


Fig. 5B

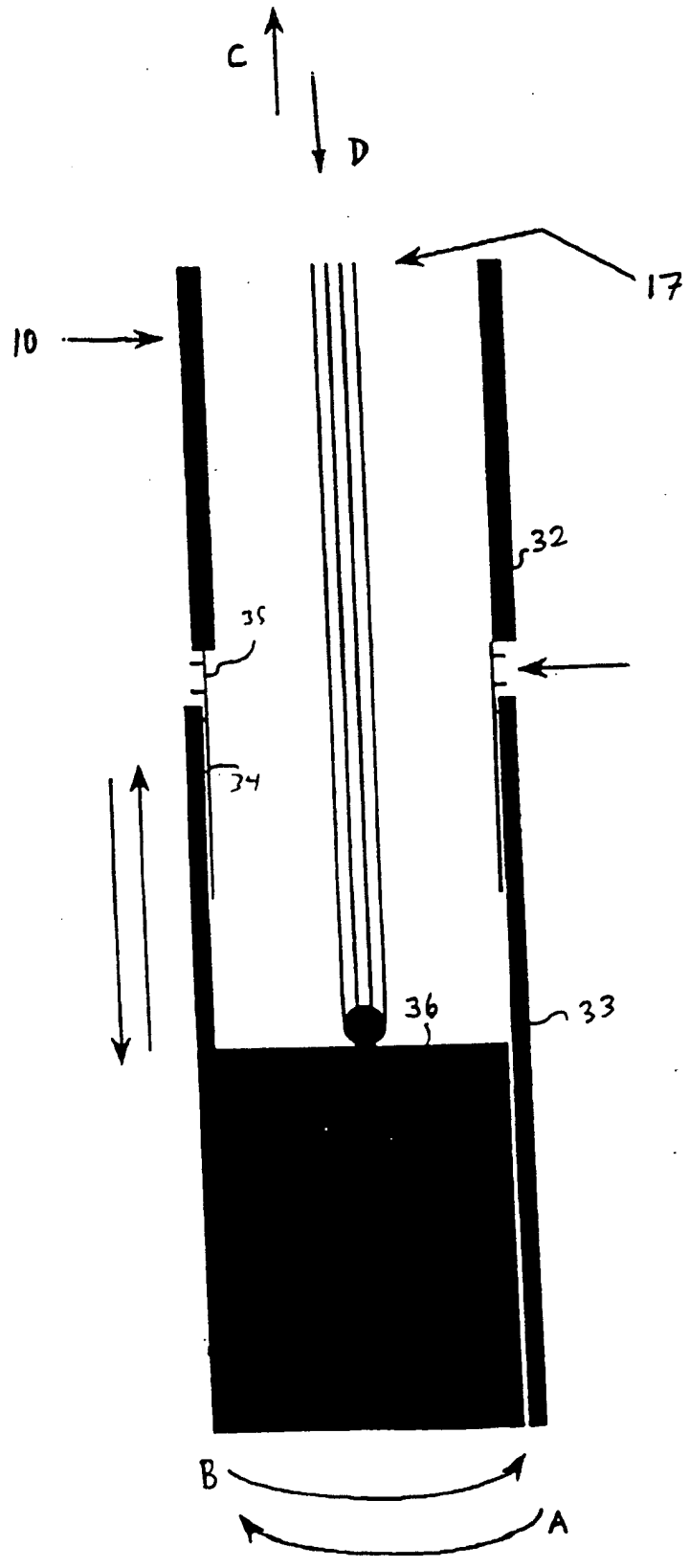


Fig. 6

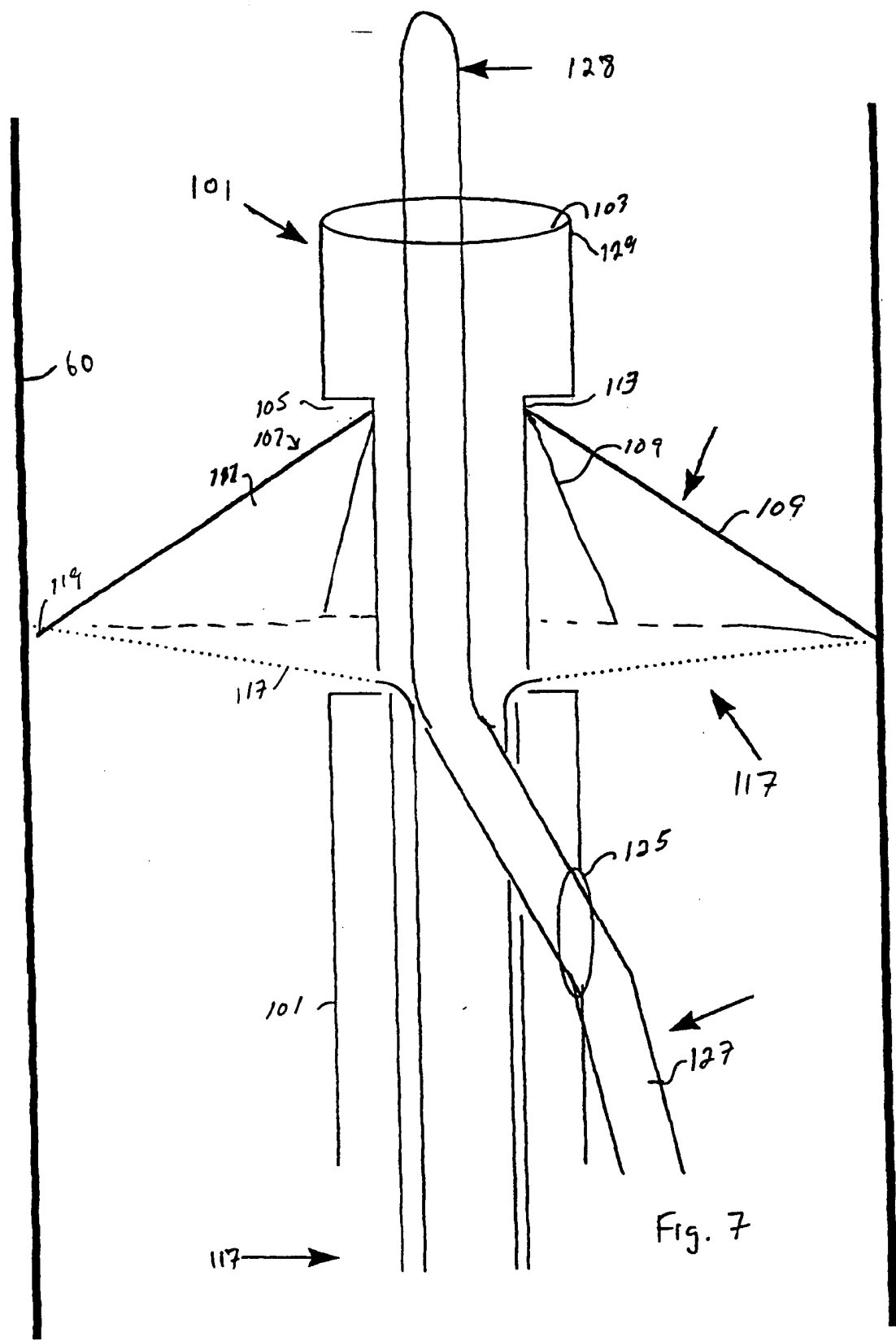


Fig. 7

FIG. 8

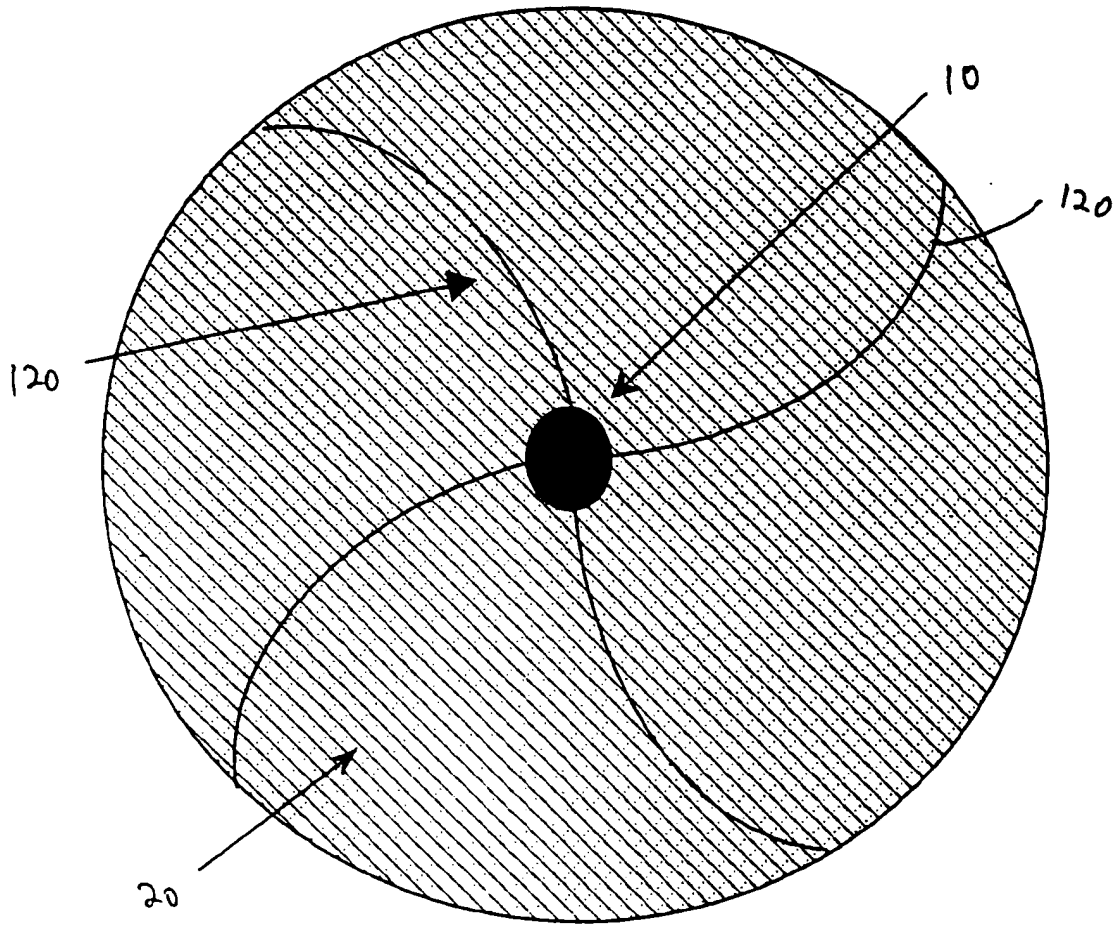


FIG. 9

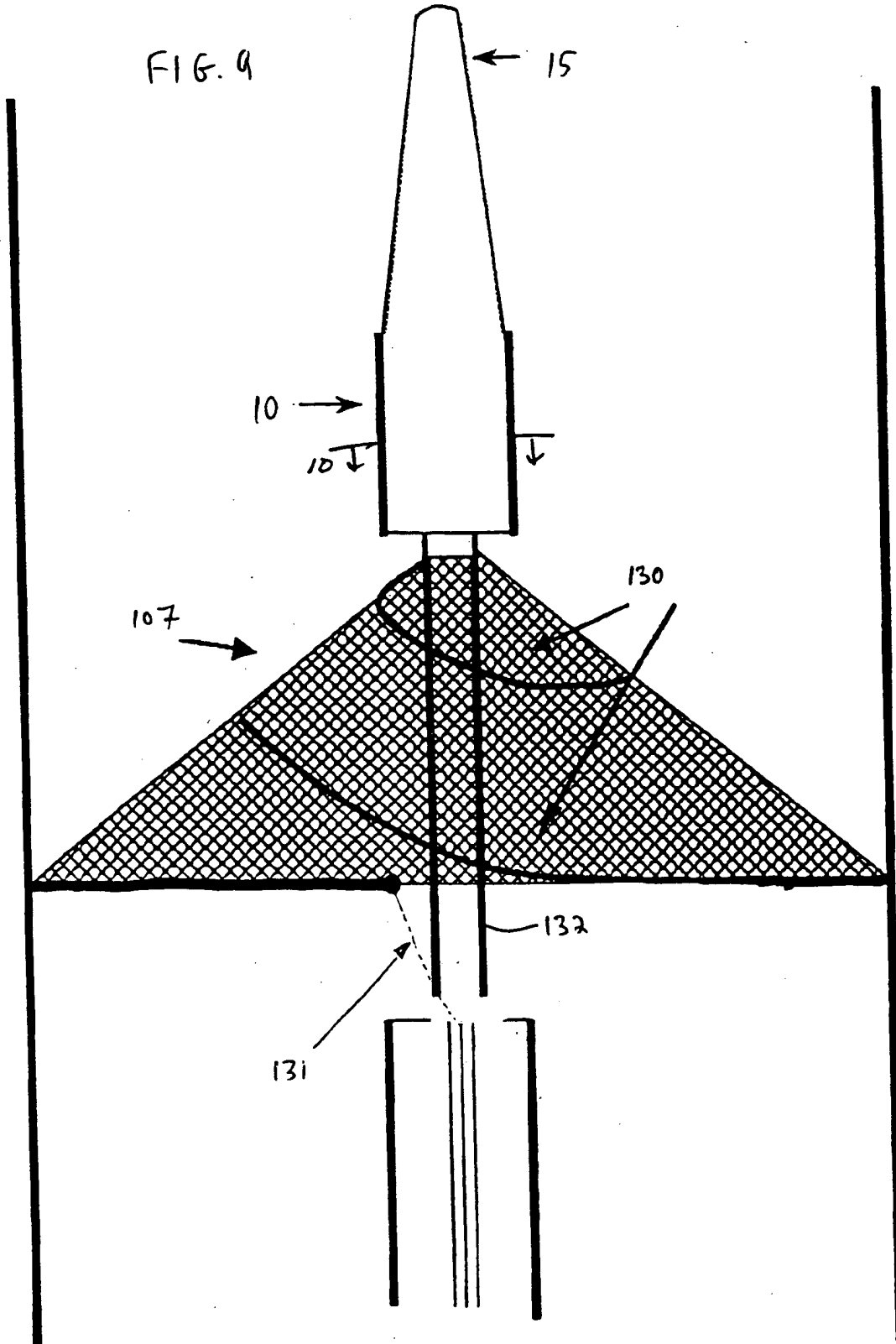
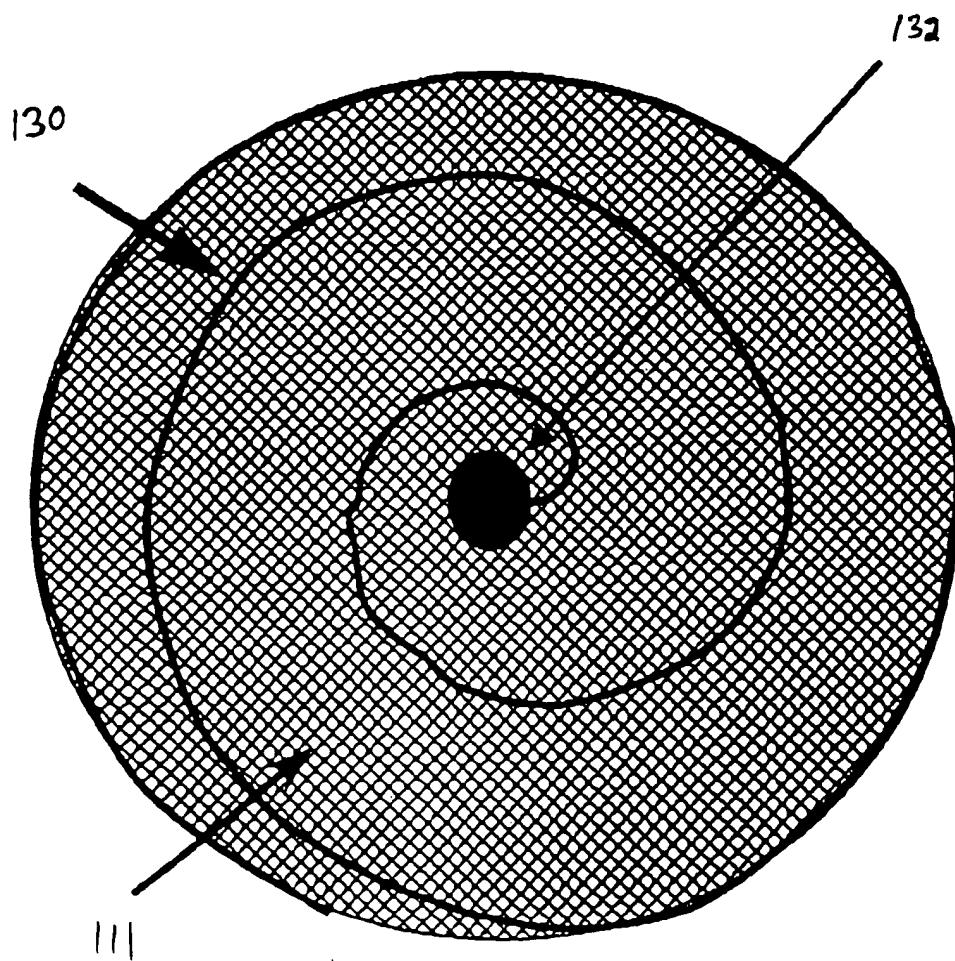
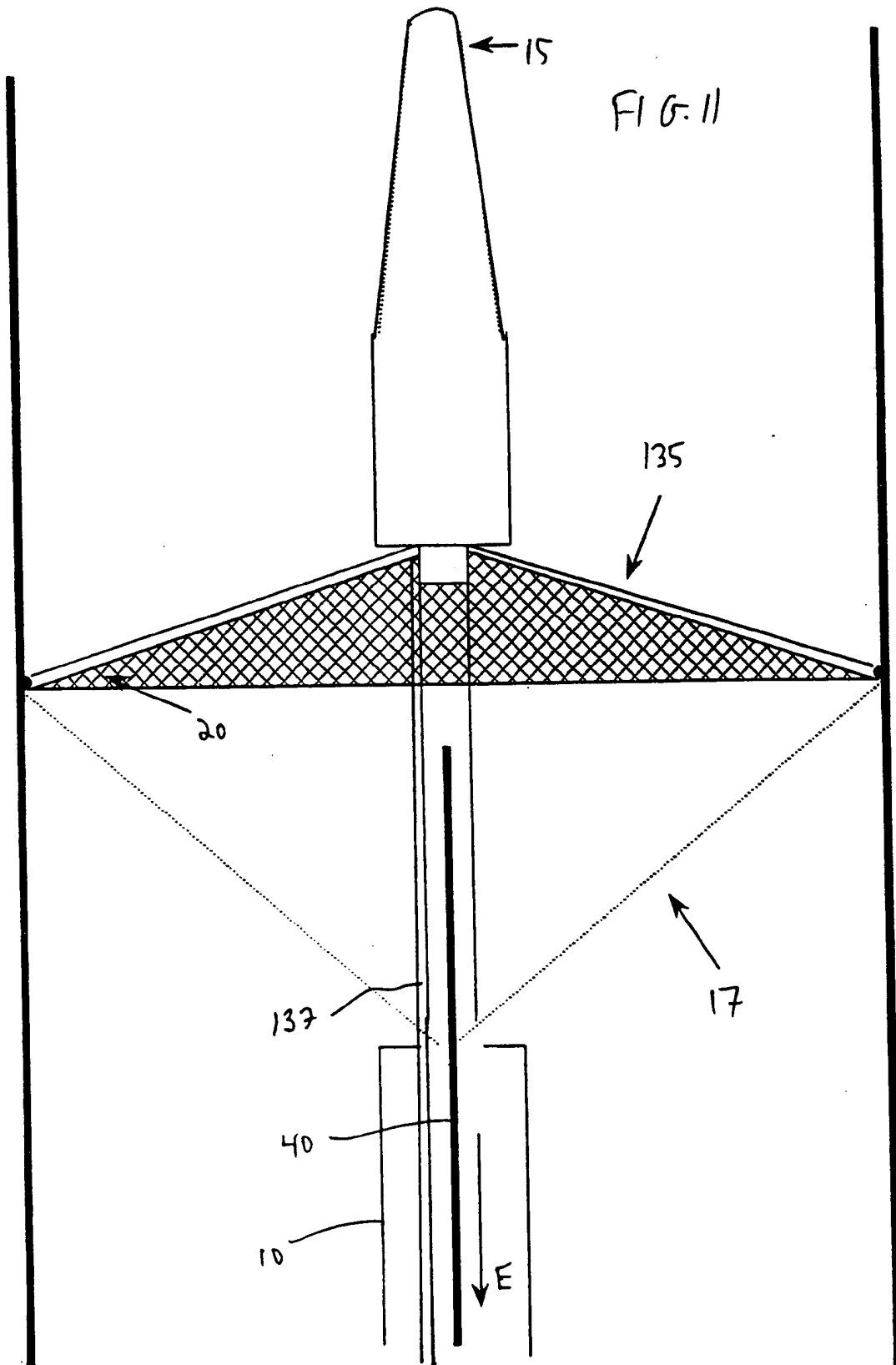


FIG. 10







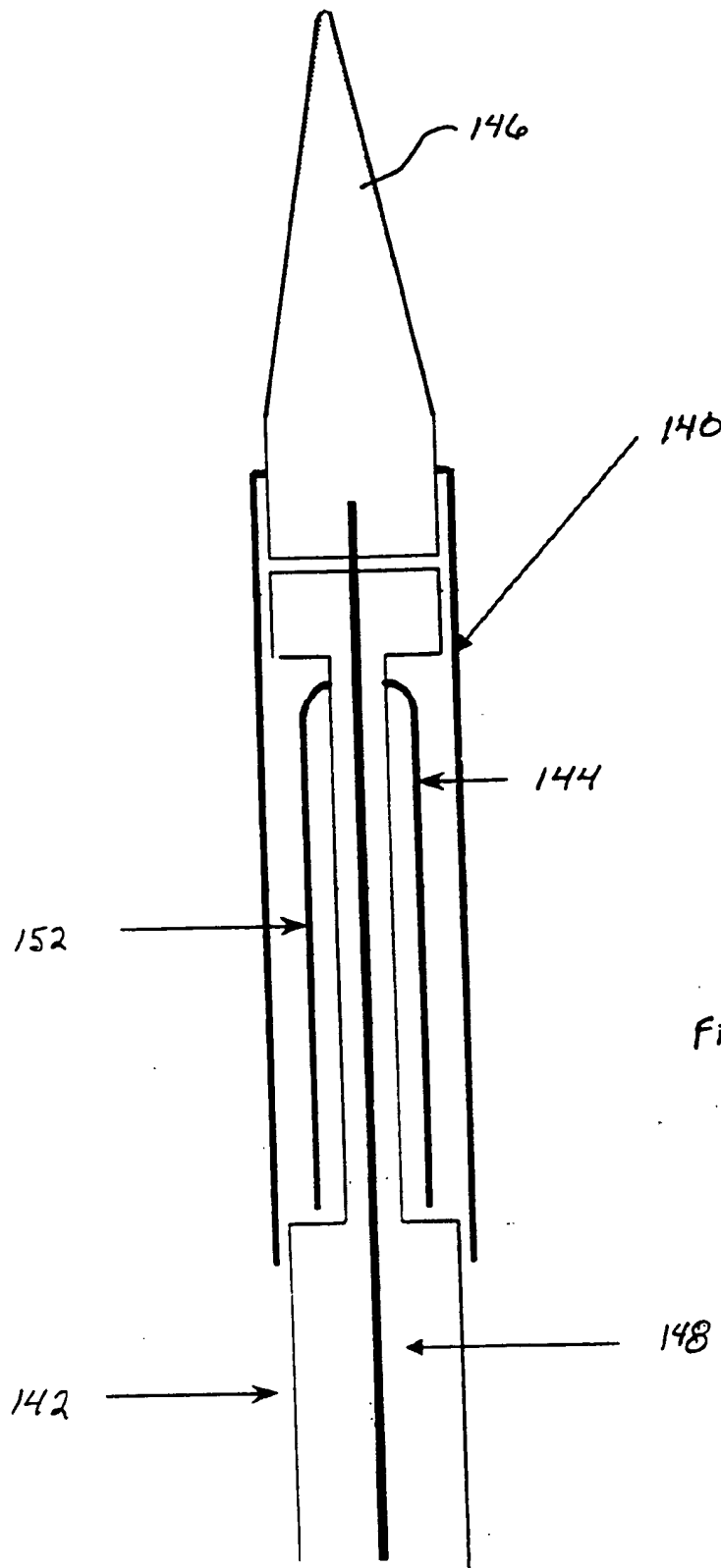
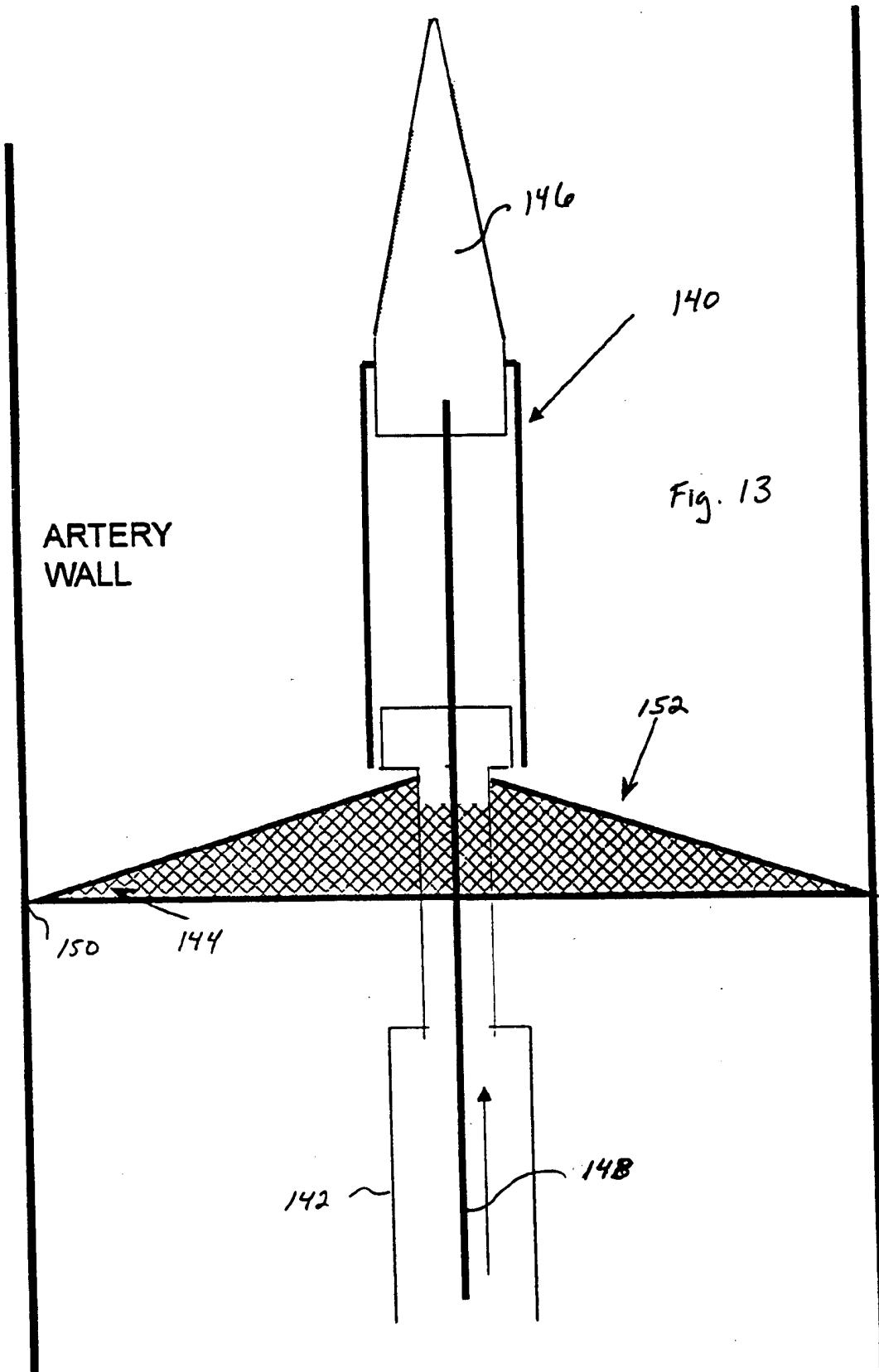


Fig. 12



INTERNATIONAL SEARCH REPORT

International application No.  
PCT/US98/01894

A. CLASSIFICATION OF SUBJECT MATTER

IPC(6) :A61B 17/22  
US CL :606/200

According to International Patent Classification (IPC) or to both national classification and IPC

B. FIELDS SEARCHED

Minimum documentation searched (classification system followed by classification symbols)

U.S. : 606/200

Documentation searched other than minimum documentation to the extent that such documents are included in the fields searched

Electronic data base consulted during the international search (name of data base and, where practicable, search terms used)

C. DOCUMENTS CONSIDERED TO BE RELEVANT

Category*	Citation of document, with indication, where appropriate, of the relevant passages	Relevant to claim No.
X	US 4,723,549 A (WHOLEY et al) 09 February 1988, entire document.	1-3
---		-----
Y		4-19
Y	US 5,053,008 A (BAJAJ) 01 October 1991, entire document.	4-19

Further documents are listed in the continuation of Box C.  See patent family annex.

*A*	document defining the general state of the art which is not considered to be of particular relevance	*T*	later document published after the international filing date or priority date and not in conflict with the application but cited to understand the principle or theory underlying the invention
*E*	earlier document published on or after the international filing date	*X*	document of particular relevance: the claimed invention cannot be considered novel or cannot be considered to involve an inventive step when the document is taken alone
*L*	document which may throw doubts on priority claim(s) or which is cited to establish the publication date of another citation or other special reason (as specified)	*Y*	document of particular relevance, the claimed invention cannot be considered to involve an inventive step when the document is combined with one or more other such documents, such combination being obvious to a person skilled in the art
*O*	document referring to an oral disclosure, use, exhibition or other means	*Z*	document member of the same patent family
*P*	document published prior to the international filing date but later than the priority date claimed		

Date of the actual completion of the international search  
21 APRIL 1998

Date of mailing of the international search report  
07 MAY 1998

Name and mailing address of the ISA/US  
Commissioner of Patents and Trademarks  
Box PCT  
Washington, D.C. 20231  
Facsimile No. (703) 305-3230

Authorized officer  
*Andrie Polman*  
MICHAEL THALER  
Telephone No. (703) 308-2981

**THIS PAGE BLANK (USPTO)**

**THIS PAGE BLANK (USPTO)**